

C6 RS6 Front Headlight Bulb

Change Procedure

This PDF is split into 3 sections as follows –

- Remove the front Bumper
- Remove the Headlight
- Change the Bulb

All of these procedures are taken from Elswain, the Audi technicians “Haynes Manual” and as such, they reference a lot of “Audi Special Tools”, most of which can be made or bought simply.

Any reference to a “Vehicle Diagnostic Tester” means VCDS software.

C6 RS6 Front Bumper **Removal & Installation**

This PDF is split into 4 sections as follows –

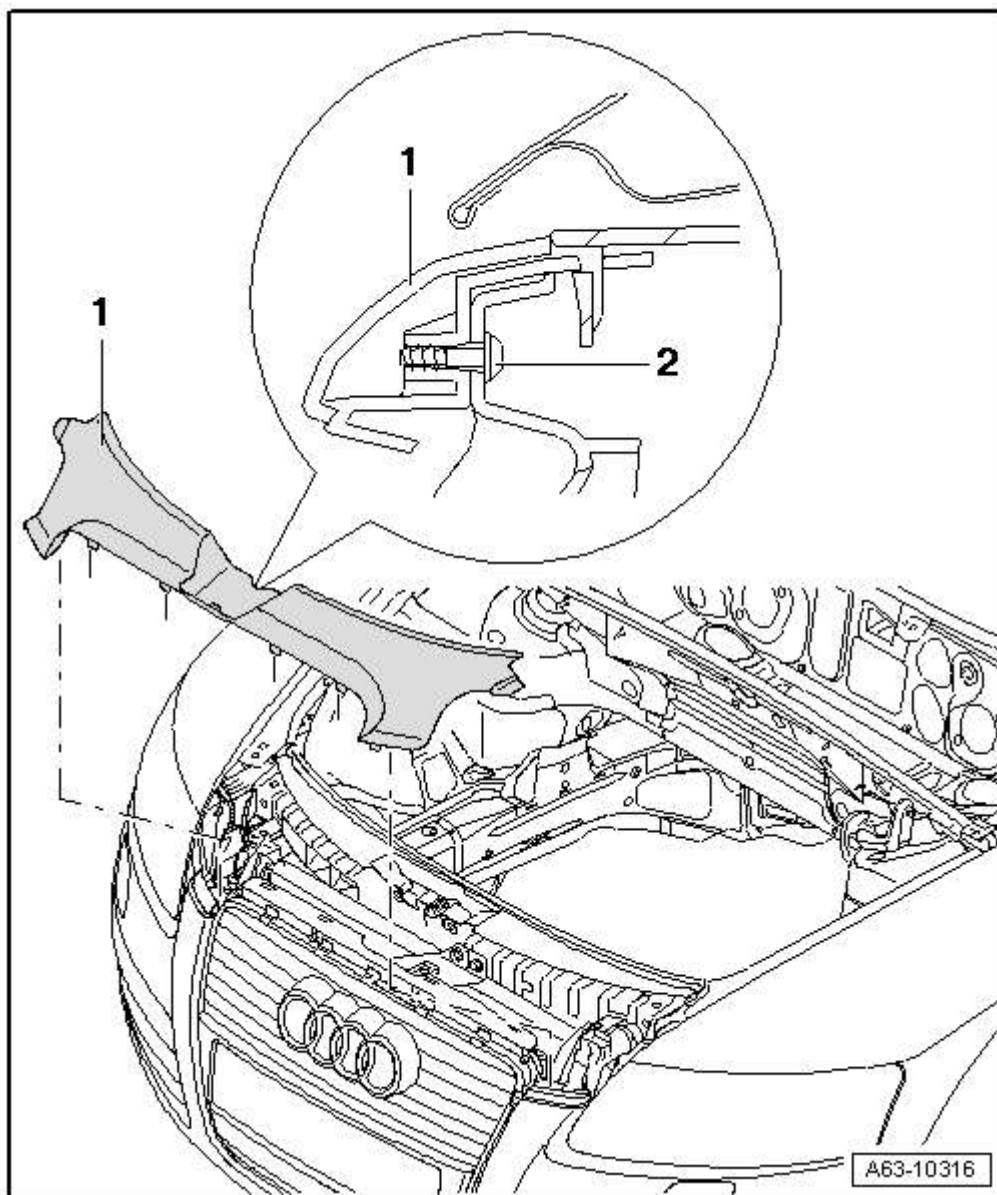
- Remove/Refit the Lock Carrier Cover from the Top of the Bumper
- Remove/Refit the bolts from the Top of the Bumper
- Remove/Refit the Heater Cover for the ACC (if applicable)
- Remove/Refit the lower Bumper bolts & Arch bolts and Headlight Washers

All of these procedures are taken from Elswain, the Audi technicians “Haynes Manual” and as such, they reference a lot of “Audi Special Tools”, most of which can be made or bought simply.

Any reference to a “Vehicle Diagnostic Tester” means VCDS software.

C6 RS6 Remove/Refit the Lock
Carrier Cover from the Top of
the Bumper

Removing and installing lock carrier cover



1 - Cover

– To remove, first unclip on front side of lock carrier, then detach towards front.

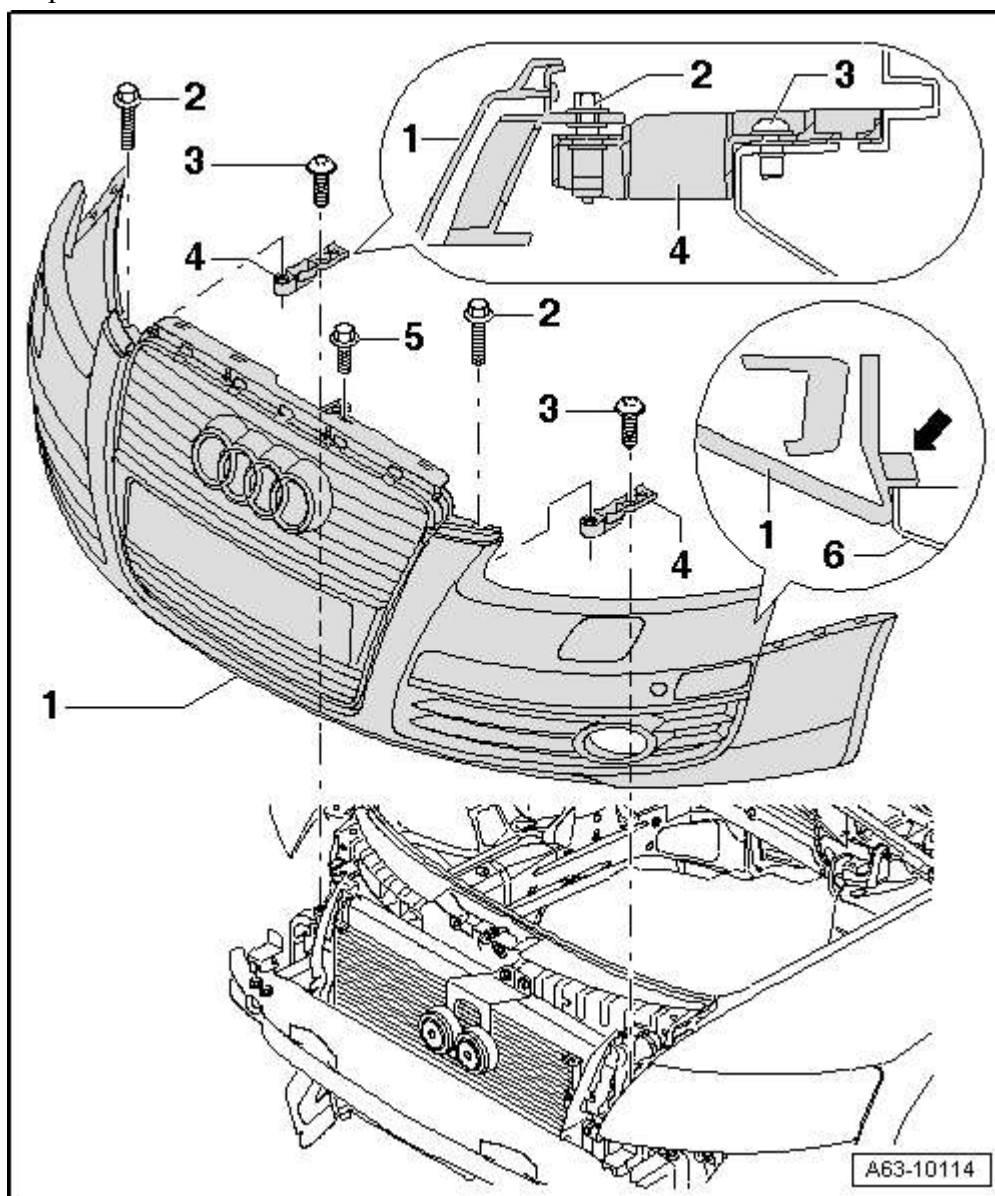
2 - Self-tapping screw

q 1.5 Nm

C6 RS6 Remove/Refit the
bolts from the Top of the
Bumper

Removing and installing bumper (front)

Exploded view



1 - Bumper



Note

On vehicles with "ACC", the heated cover must be pulled off before the bumper is dismantled and the electrical connectors must be unplugged → [Chapter](#).

q Cover for lock carrier removed → [Chapter](#)

q Removing and installing bumper → [Chapter](#)

q Removing and installing number plate carrier → [Chapter](#)

When installing, retaining tab -arrow- must engage behind wing -6-.

2 - Bolt with washer

q M6 x 50 mm

q 8 Nm

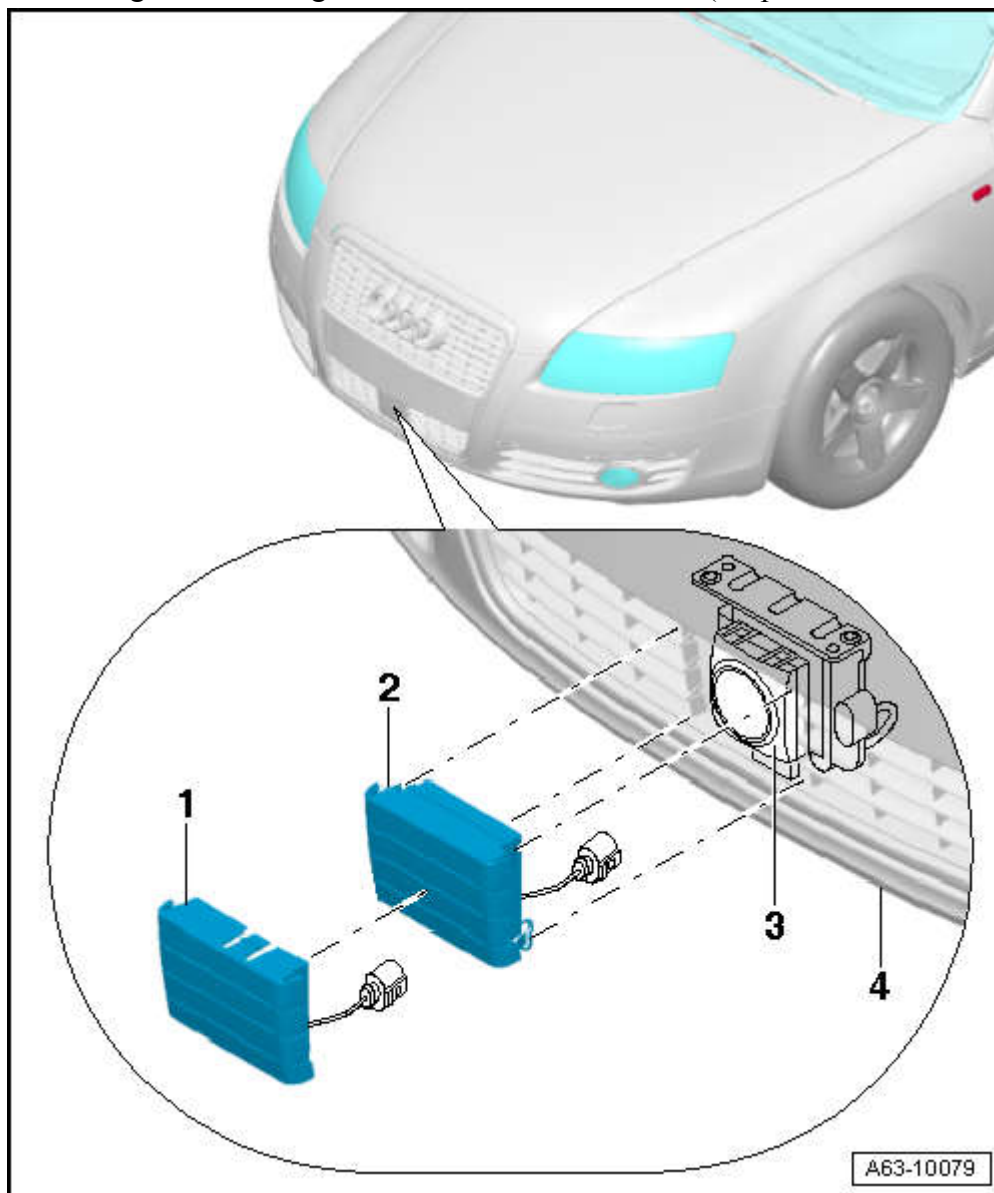
3 - Torx bolt

q 3.5 Nm

- 4 - Retainer
- 5 - Bolt with washer
 - q M6 x 25 mm
 - q 8 Nm
- 6 - Wing

C6 RS6 Remove/Refit the
Heater Cover for the ACC
(if applicable)

Removing and installing cover on vehicles with ACC (adaptive cruise control)



1 - Cover for radiator grille (standard)

q To remove, carefully pull cover forwards slightly out of bumper cover without damaging louvres.

q Unplug electrical connectors and remove cover from bumper cover towards front.

2 - Cover for radiator grille (S-line)

q The procedure for removal and installation is the same as for standard version.

3 - Lens for ACC

q Removing and installing →[Rep. Gr.44](#).



Note

When installing, heater cable must not be positioned in front of radar lens for ACC sensor. Instead it must be placed to the side, outside cover housing so that it does not interfere with the operation of the ACC.

4 - Bumper cover

C6 RS6 Remove/Refit the
Lower Bumper bolts & Arch
bolts and Headlight Washers

Removing and installing bumper (front)

Removing

- Remove lock carrier cover → [Chapter](#).
- Remove bolts at top of cover → [Chapter](#).



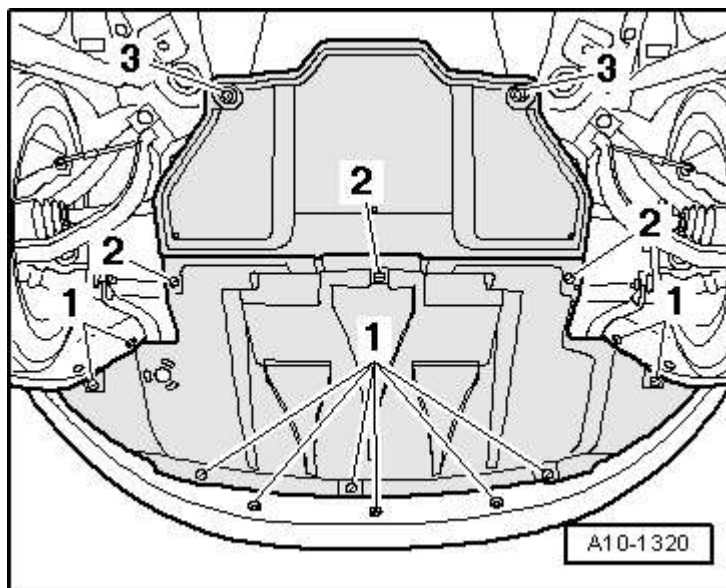
Note

t For greater clarity, illustrations are shown with wheels removed from vehicle.

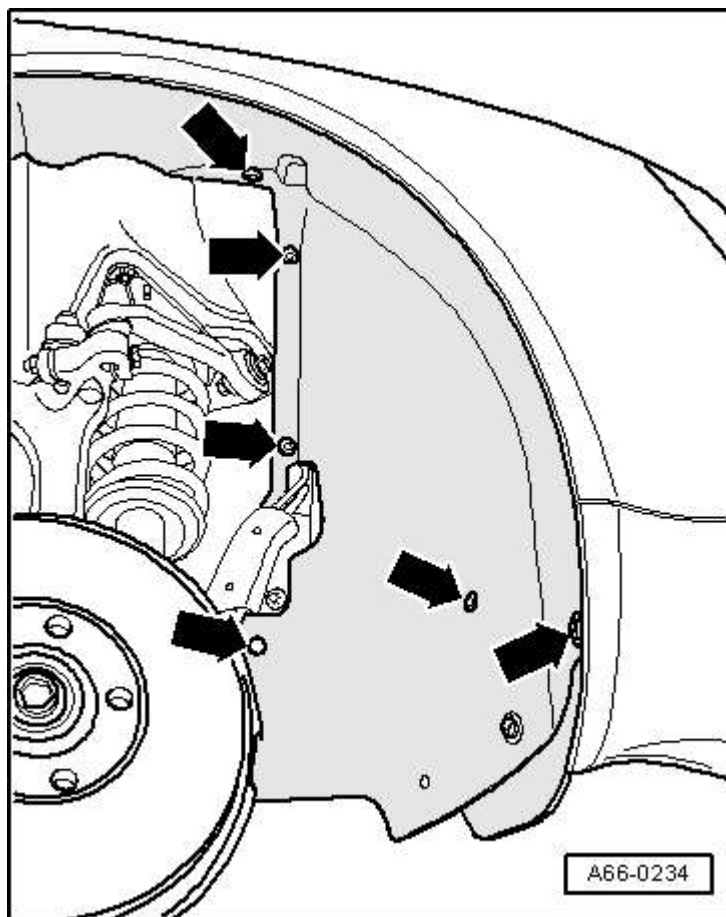
t The wheels remain installed when removing the bumper.

t Set steering so that front wheel points inwards on side of vehicle on which wheel housing liner is to be folded back.

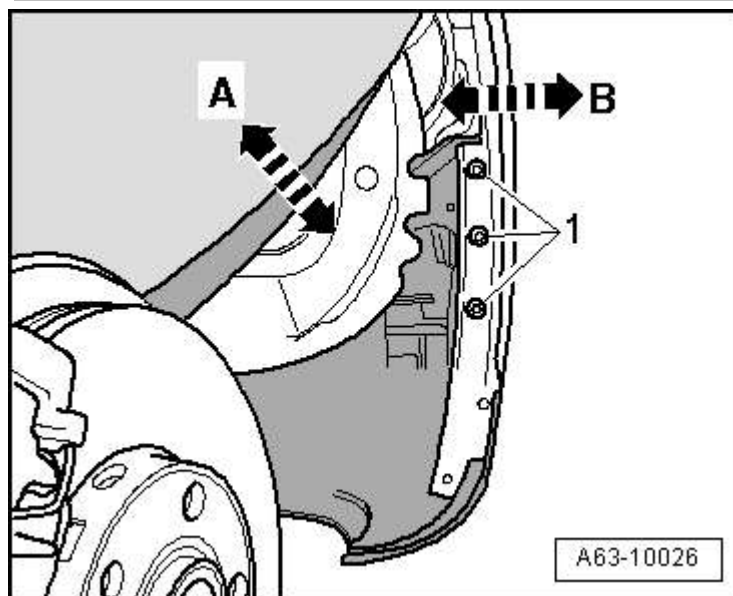
For this purpose, release bolts/quick-release fasteners -1- and -2-. Leave quick-release fasteners -3- for noise insulation panel (rear) in position.



- Release left and right wheel housing liners in front area -arrows-.



- Press off wheel housing liner upwards -arrow A-.
- Unscrew bolts -1-.
- Use socket -T40078- to unscrew nuts
- for zero-gap panel joint connection → [Item](#). (Nuts are located above bolts -1-).
- Unclip side section of bumper from retainer -arrow B-.



- Repeat procedure on opposite side of vehicle.
- Unplug all electrical connectors -2-
- and, if necessary, detach hose connection -1- for headlight washer system at bumper.

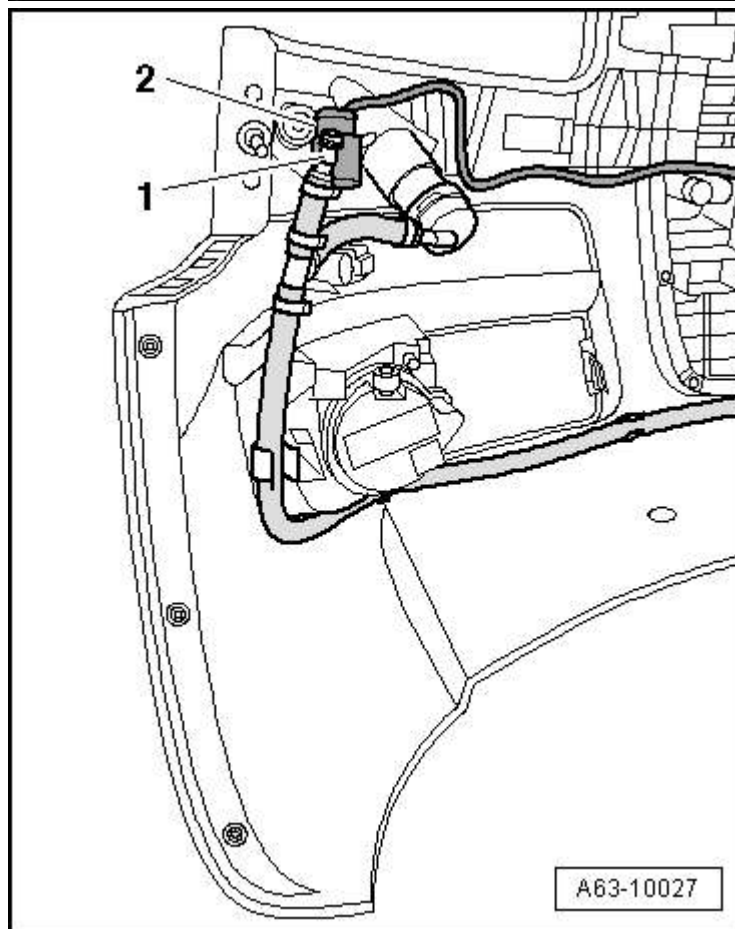
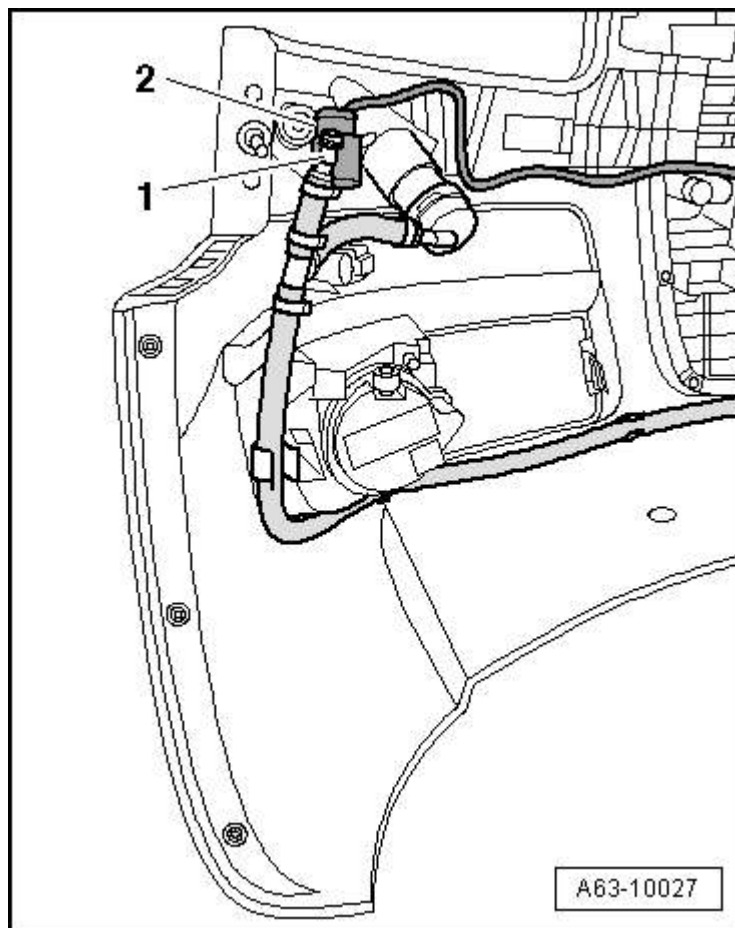
Installing

Installation is carried out in reverse order; note the following:



Note

Before installing bumper, check that studs have been fitted at side sections of bumper, and that fasteners and grommets have been fitted in wings.

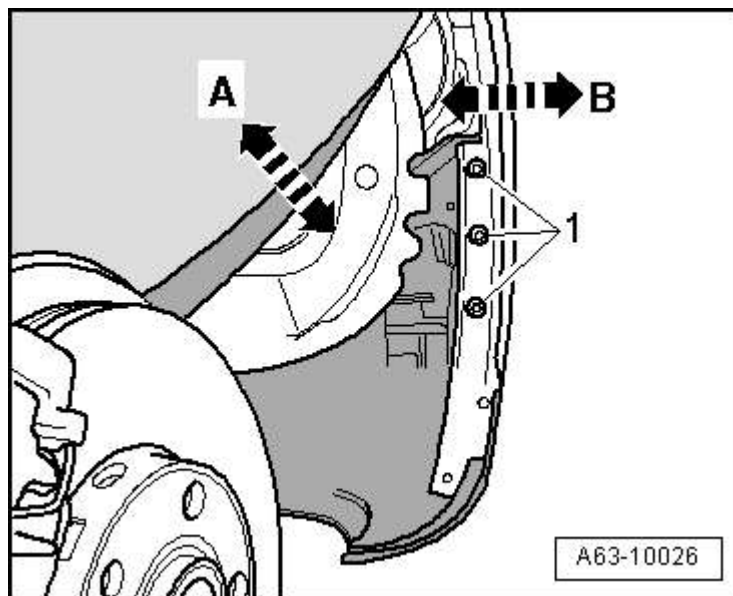


– Fit bumper, reattach hose -1- for headlight washer system and reattach connectors.

– Push bumper into installation position. Ensure that the studs in the bumper side sections engage in the holes in the wing.

– Fold back wheel housing liner - arrow A-

- Press side section of bumper inwards into retainer on guide -arrow B-
- Tighten bolts -1- (1 Nm).
- Repeat procedure on opposite side of vehicle.



C6 RS6 Front Headlight **Removal**

Removing and installing headlights (old headlight is fitted again)

Special tools and workshop equipment required

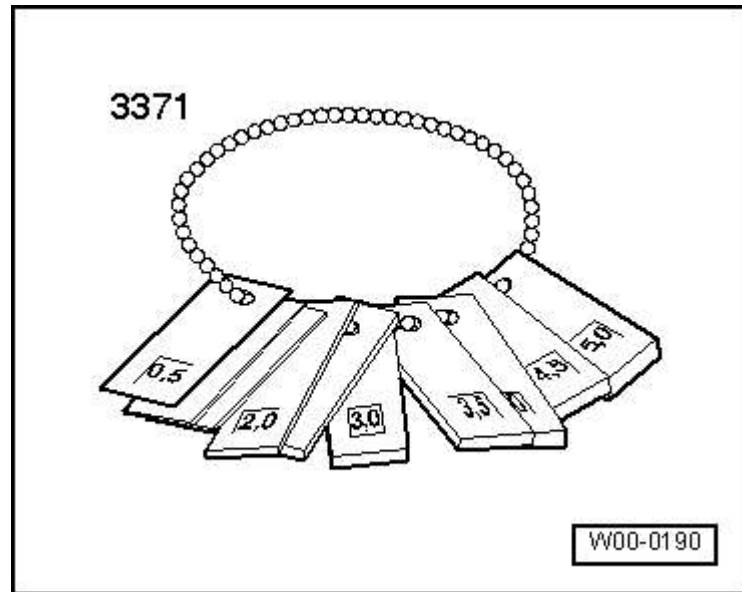
t Setting gauge -3371-



WARNING

High voltage! Danger to life!

Safety precautions when handling gas discharge bulbs → [Electrical system](#);
[General information](#); [Rep. Gr.94](#).



Removing

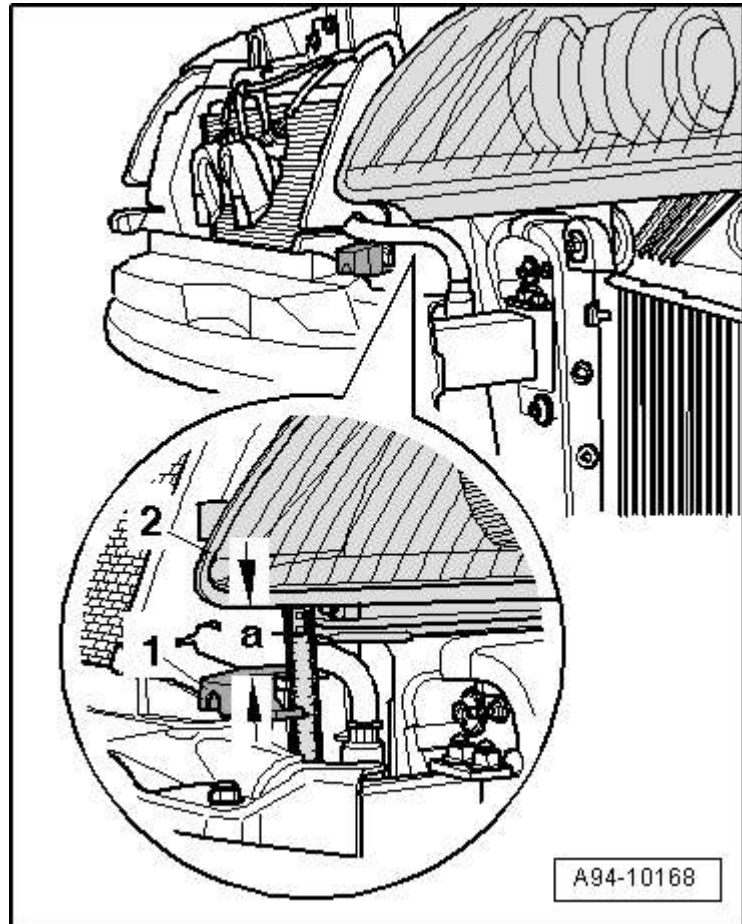
- With ignition switched off, disconnect earth cable at battery → [Chapter](#).
- Remove front bumper cover → [Rep. Gr.63](#).

Measure distance -a- between

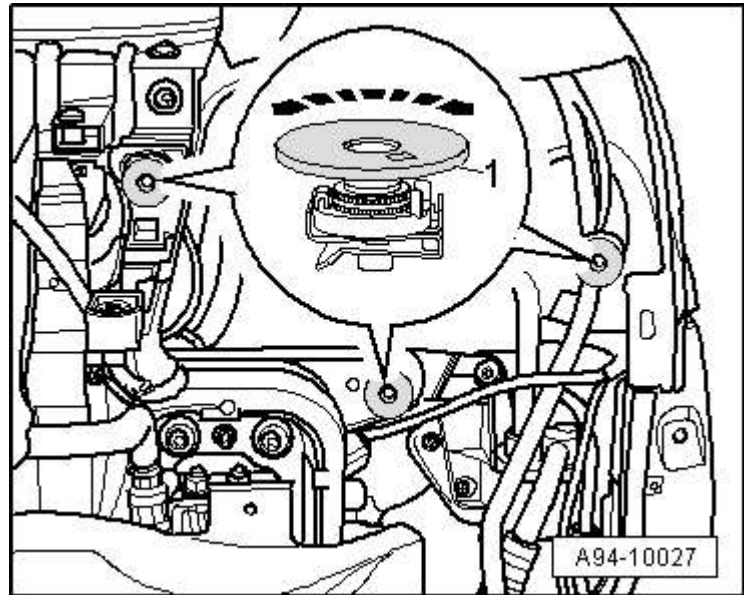
- headlight -2- and spacer -1- before removal and make a note of distance measured.



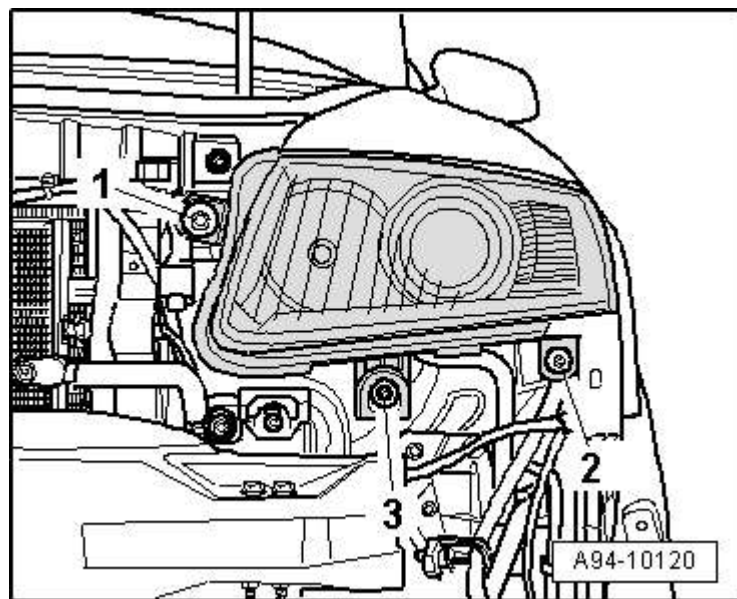
Note



Make sure to counterhold adjuster nuts -1- of adjusters when unscrewing securing bolts to prevent them from being turned out of position -arrows-.



- Unscrew bolts -1 ... 3-
- Detach headlight to front.
- Unplug electrical connector.



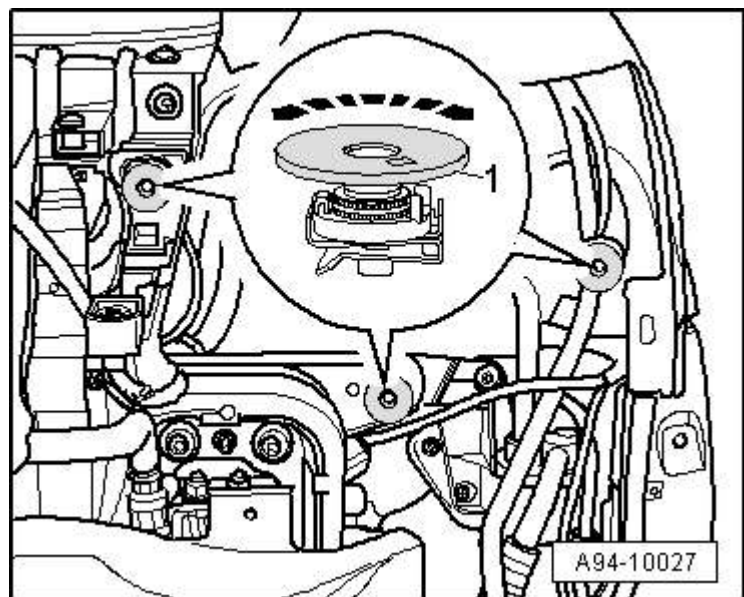
Installing

1 Tightening torque → [Chapter](#)

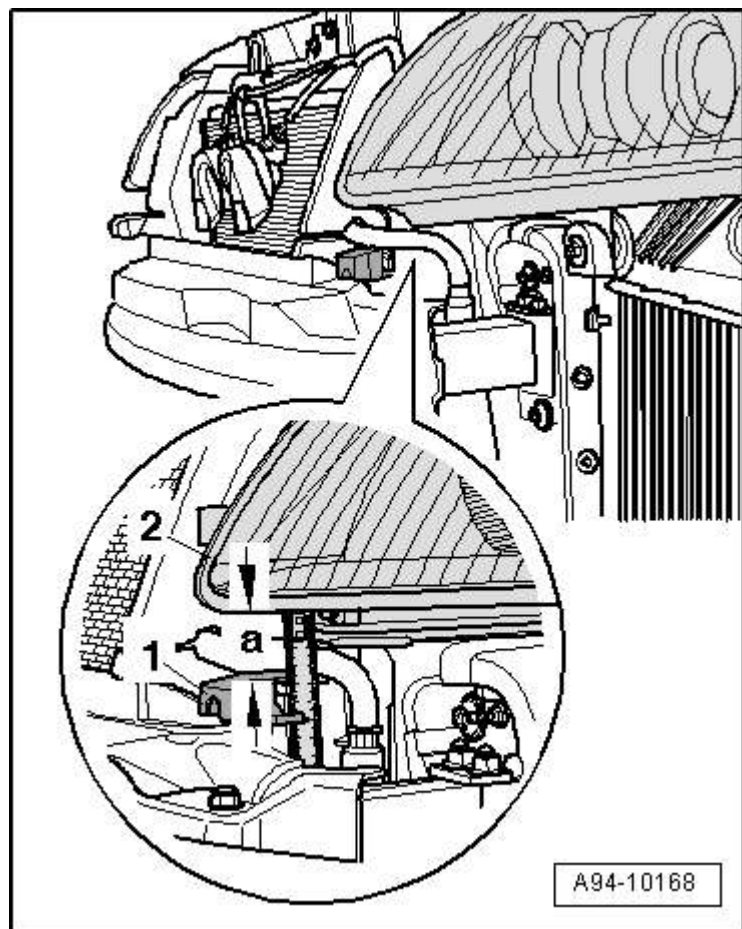
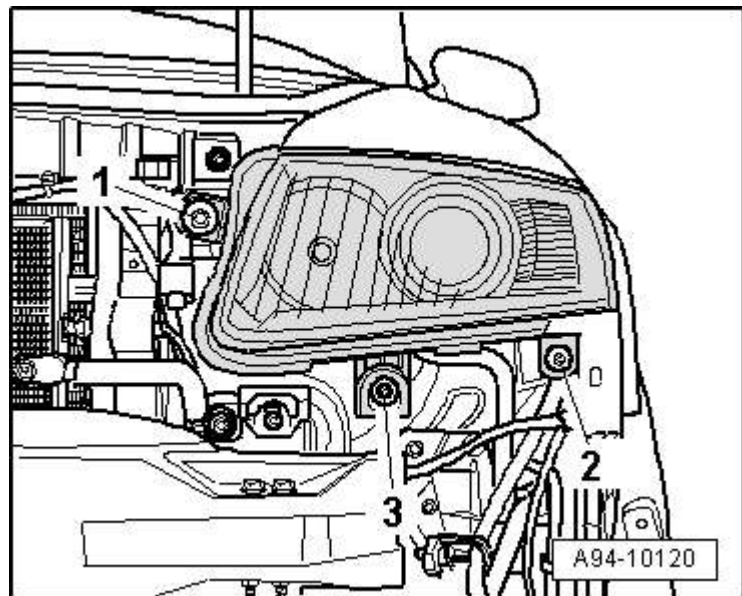


Note

Make sure to counterhold adjuster nuts -1- of adjusters when fastening securing bolts to prevent them from being turned out of position -arrows-.



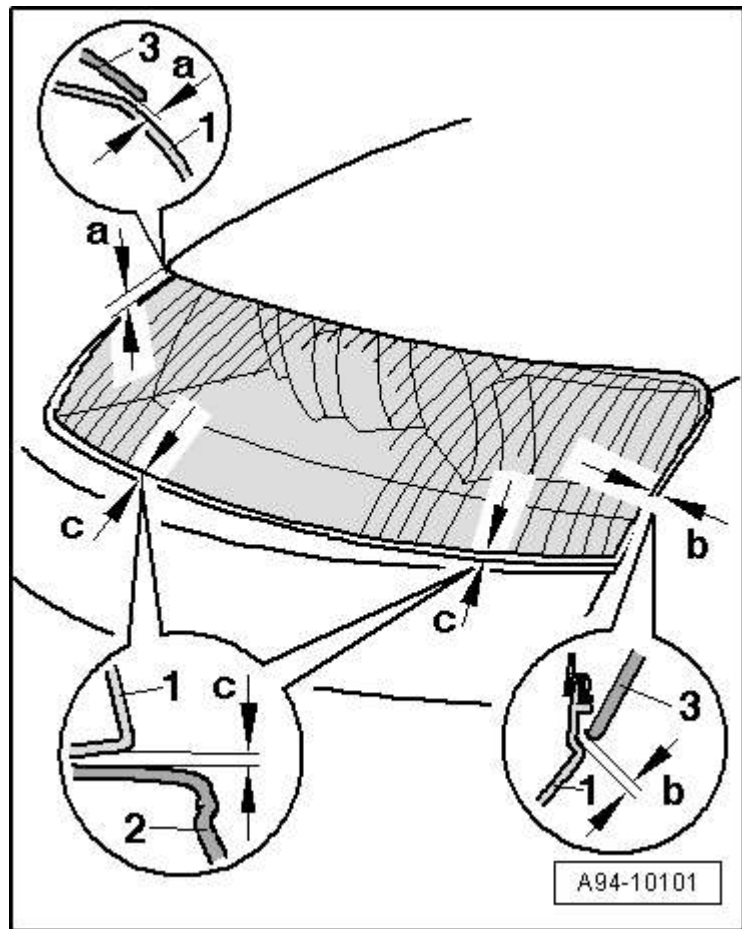
- Fit headlight and screw in bolts - 1 ... 3- two complete turns each.



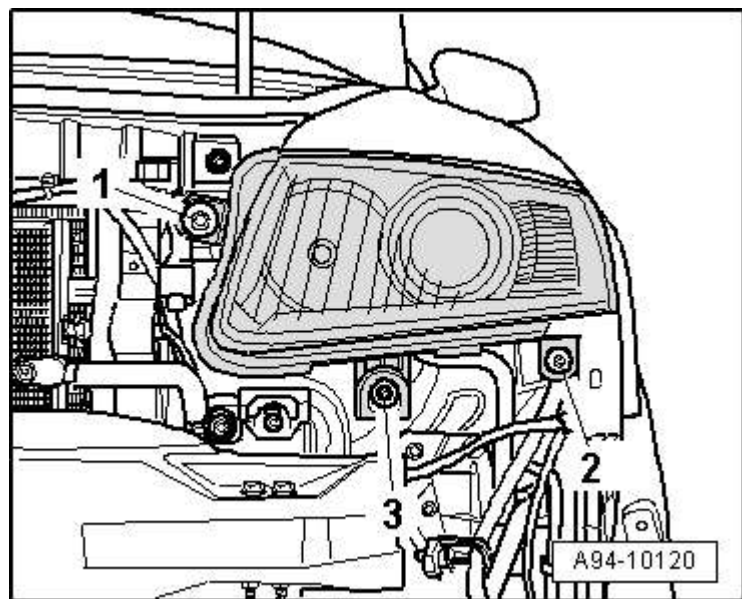
Adjust headlight -2- so that the distance -a- to the spacer -1- is the same distance as measured upon removal.

- Fit front bumper cover in installation position, but do not tighten bolts.
- Align gap widths -a ... c- of headlight -1- in relation to bumper cover -2- and wing panel -3- using setting gauge -3371- as follows:
 - 1 Dimension -a- = 2.3 mm
 - 1 Dimension -b- = 2 mm
 - 1 Dimension -c- = 1.2 mm

- 1 The headlight must be flush with outer edge of wing panel.
- The bottom edge of the headlight must be parallel with the top edge of the bumper.



- Secure bolt -1- – do not apply pressure to bolt when tightening.
- Take off front bumper cover.
- Secure bolts -2- and -3- and at the same time align headlight flush with outer edge of wing panel.
- Install front bumper cover → [Rep. Gr.63.](#)
- Check gap widths again; if necessary repeat adjustment of gap widths as described above.
- Connect battery. Steps required → [Anchor.](#)
- Following installation, adjust headlights → .



C6 RS6 Front Bulb Removal

Renewing gas discharge bulb -L13-/-L14-

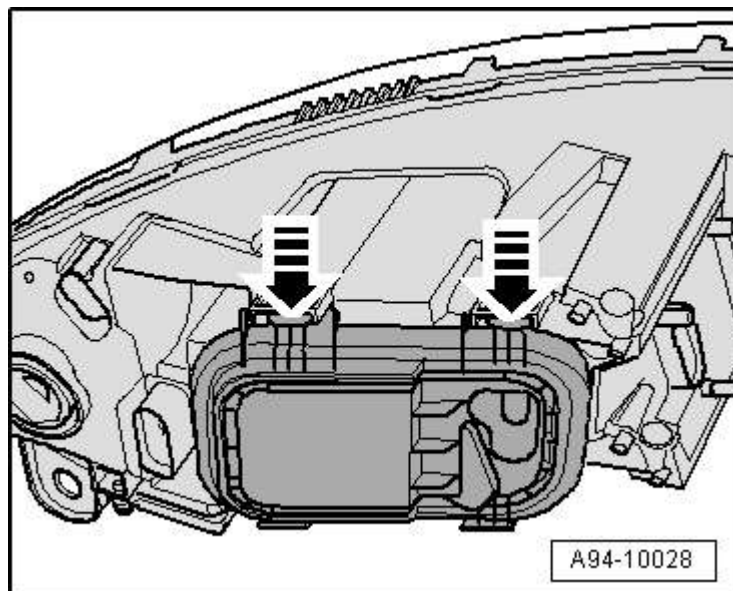
**WARNING**

High voltage! Danger to life! Observe environmental requirements.

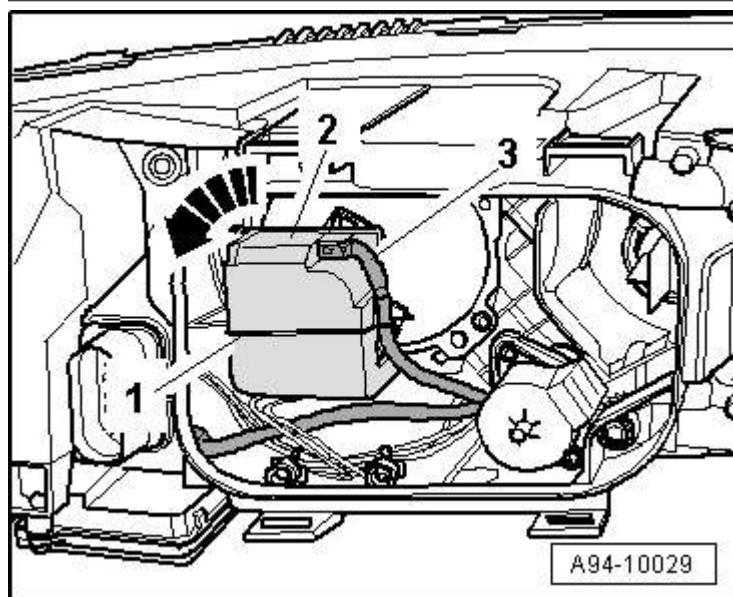
Safety precautions when handling gas discharge bulbs → [Electrical system; General information; Rep. Gr.94.](#)

Removing

- Remove headlight housing
→ [Chapter.](#)
- Release retaining tabs -arrows- and detach housing cover from headlight housing.



- If fitted, pivot the securing clip -1- for electrical connector to side.
- Turn starter unit -2- for gas discharge bulb anti-clockwise -arrow-.
- Unplug electrical connector -3- at starter unit for gas discharge bulb.
- Remove starter unit for gas discharge bulb.



- Disengage retaining clips -1-.
- Pull gas discharge bulb -2- out of headlight housing.

Installing

Installation is carried out in the reverse order; note the following:

- Insert new gas discharge bulb in housing; do not touch glass part of bulb with bare hands.

**Note**

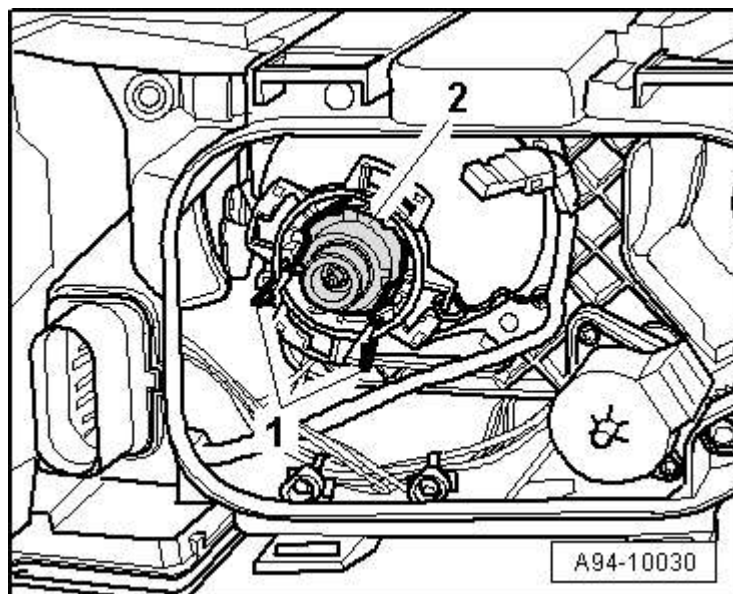
Note correct installation position: lug at top of bulb holder must engage in recess of gas discharge bulb.

- Secure gas discharge bulb with retaining clip.



Note

The starter unit must be installed before attaching the connector.



Check whether recess in housing of starter unit for gas discharge bulb and recess in contact ring coincide exactly -arrows-.

- Fit starter unit for gas discharge bulb at headlight and turn clockwise as far as it will go.

1 The starter unit should be easy to turn.

1 Arrow on housing faces upwards.

- Re-attach connector.
- If fitted, secure electrical connector with securing clip.
- Close housing cover.
- Install headlight housing → [Chapter](#).

